



Frame Fit Specifications

1x11

This document is intended to communicate general frame fit guidelines for SRAM 1x11 group sets. For additional information, please contact your SRAM Account Manager.

SRAM[®]

Table of Contents

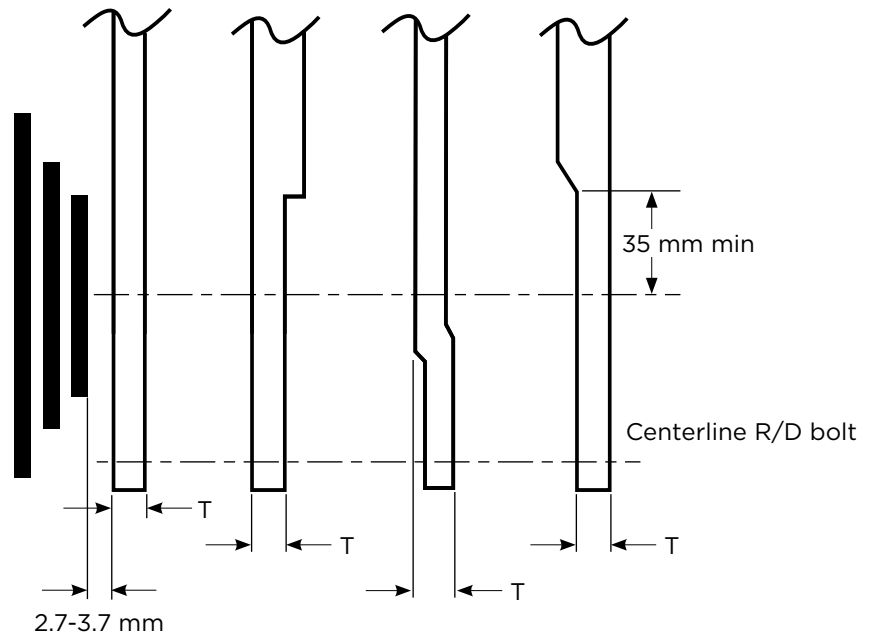
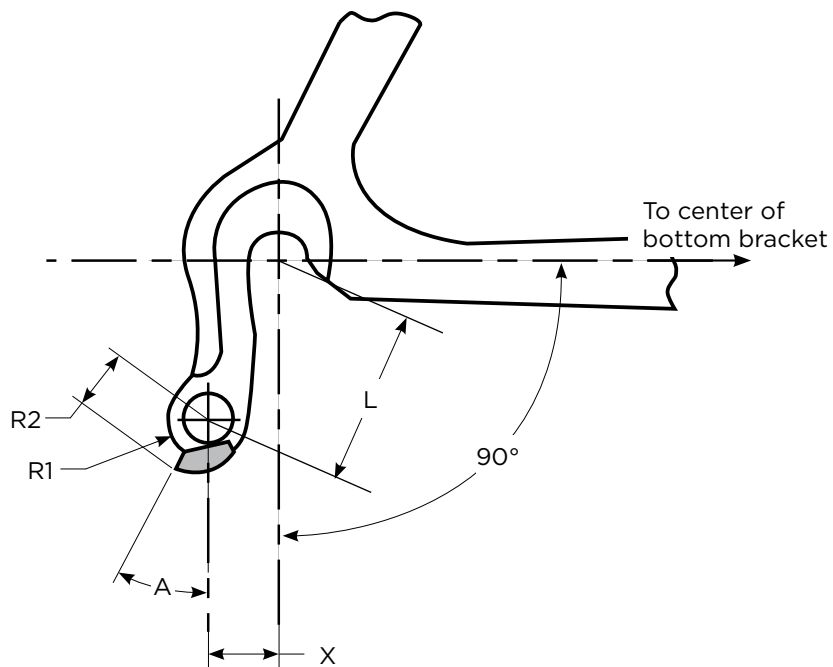
- Rear Derailleurs..... 3
- Chainstay Clearance..... 6
- Cranksets..... 8
- Bottom Brackets 11
 - Pressfit™ 30 BB 12
 - Pressfit™ GXP BB 13

Rear Derailleurs

1x11 Rear Derailleurs

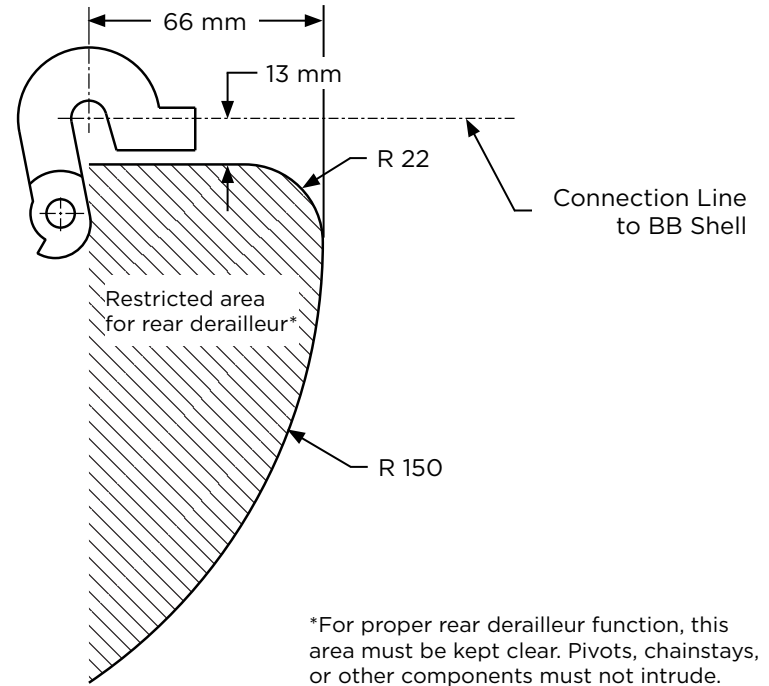
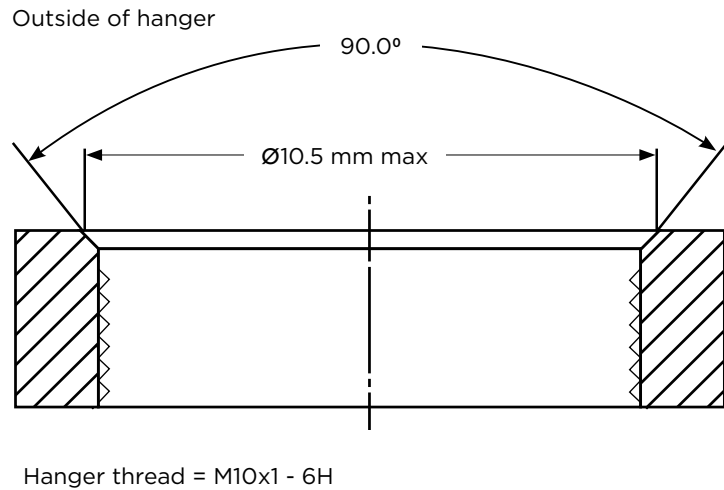
Rear Derailleur Hanger Specifications						
	L	X	A	R1	R2	T
Actuation Ratio	28-29 mm	6-10 mm	25°-30°	8.5 mm (max)	11.5-13.5 mm	7-9 mm
	30-36 mm	7.5-10 mm				

Rear Derailleur Hanger



1x11 Rear Derailleurs

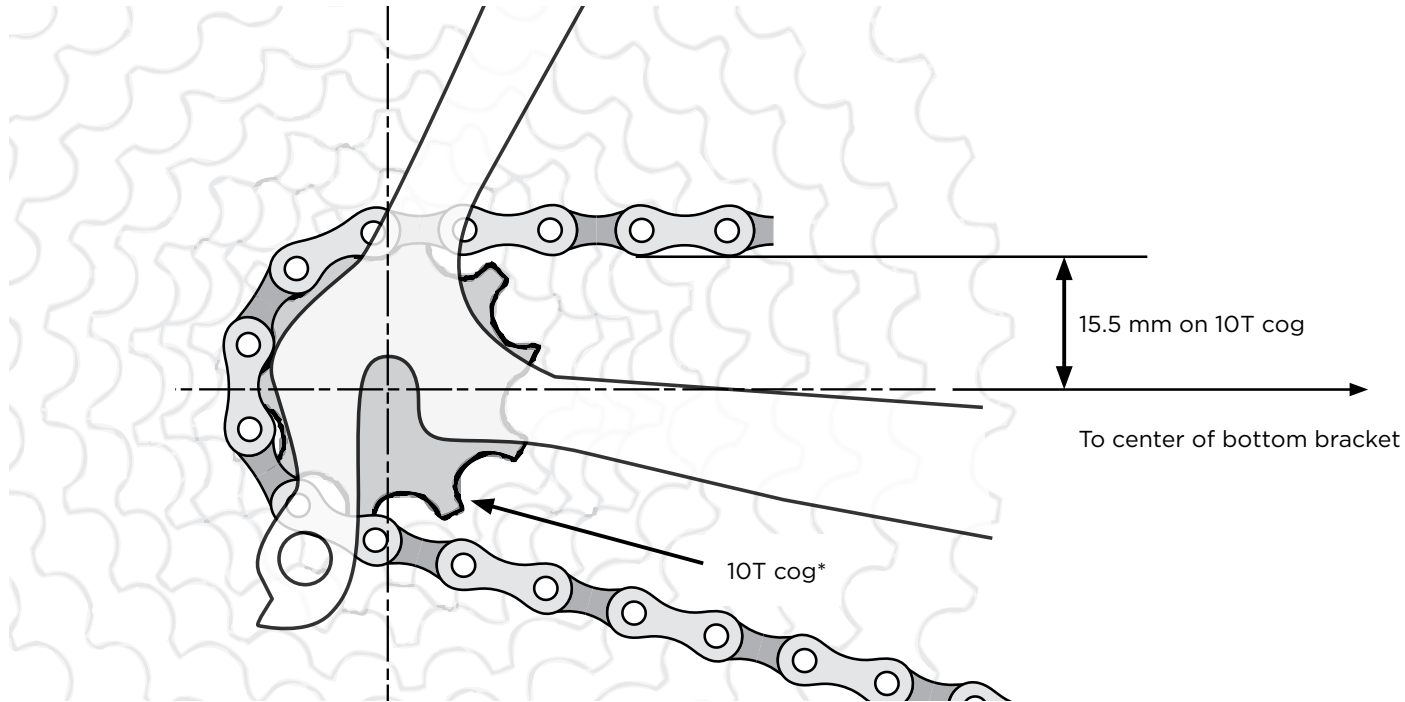
Rear Derailleur Hanger



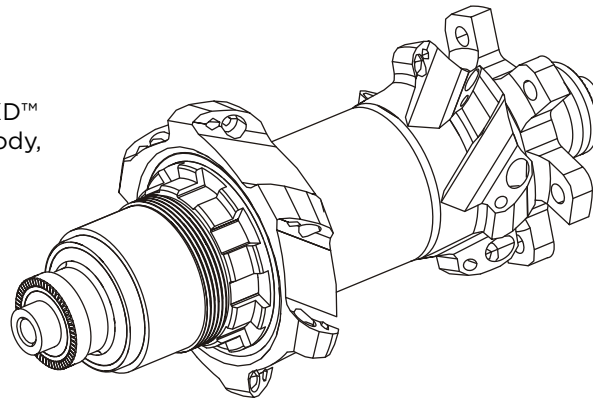
*For proper rear derailleur function, this area must be kept clear. Pivots, chainstays, or other components must not intrude.

Chainstay Clearance

1x11 Chainstay Clearance



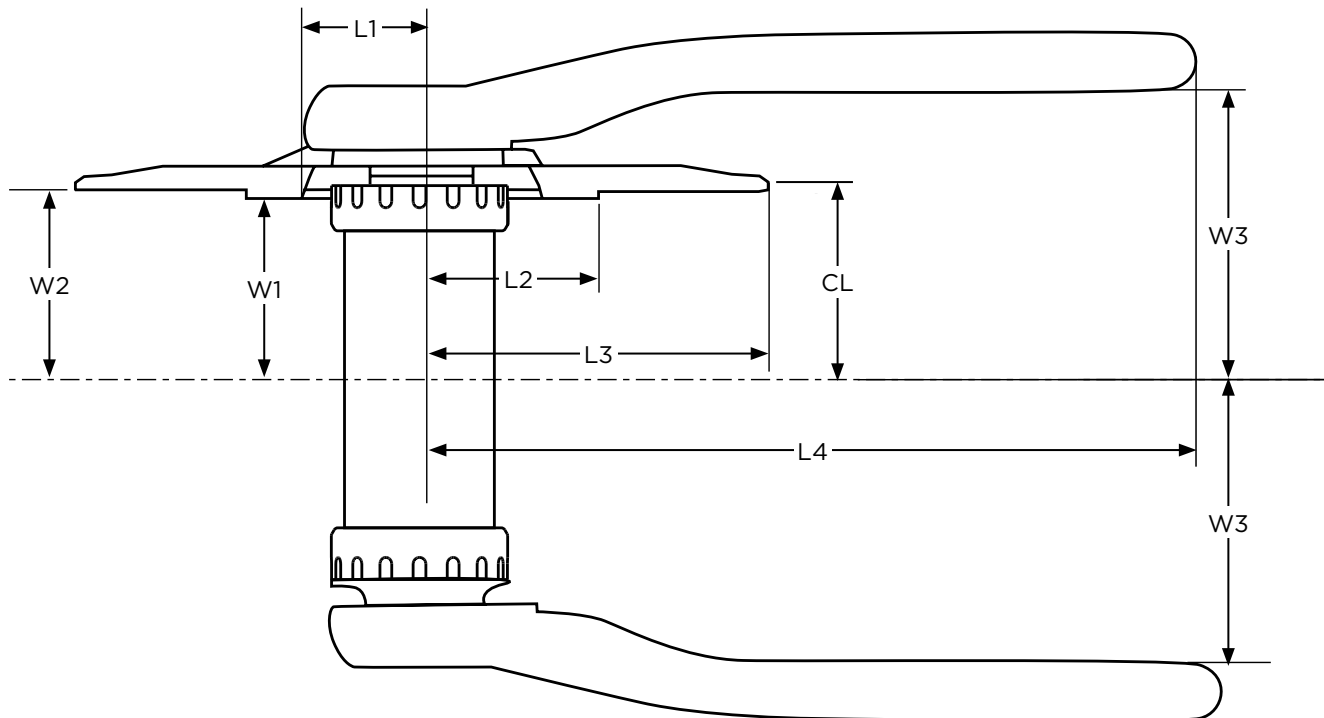
*SRAM 1x11 cassettes are exclusively compatible with the SRAM XD™ Driver Body. For a list of companies using the SRAM XD Driver Body, go to - <http://www.xddriverbody.com/>



Cranksets

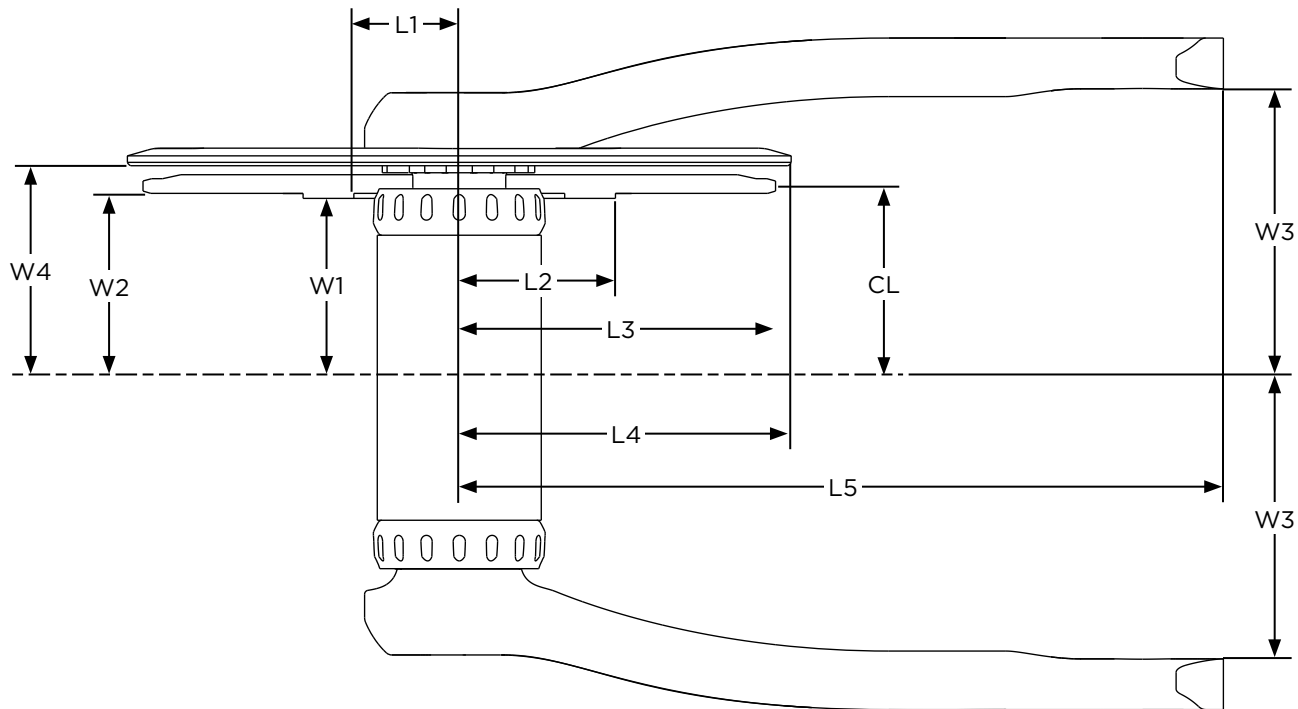
XX1 1x11 Cranksets

Crankset Frame Clearance Information								
Chain Ring	L1	L2	L3	L4	W1	W2	W3	CL (chainline)
28	27 mm	41 mm	60.5 mm	195 mm	45.5 mm	46.5 mm	64.5 mm [Q156]	49 mm
30			64.5 mm					
32			68.5 mm					
34			72.5 mm					
36			76.5 mm					
38			80.5 mm					
Q-factor : Q156, Q168								
Bottom Bracket Type(s) : GXP : BB30 : Pressfit™ 30 : Pressfit™ GXP MTB								



X1 1x11 Cranksets

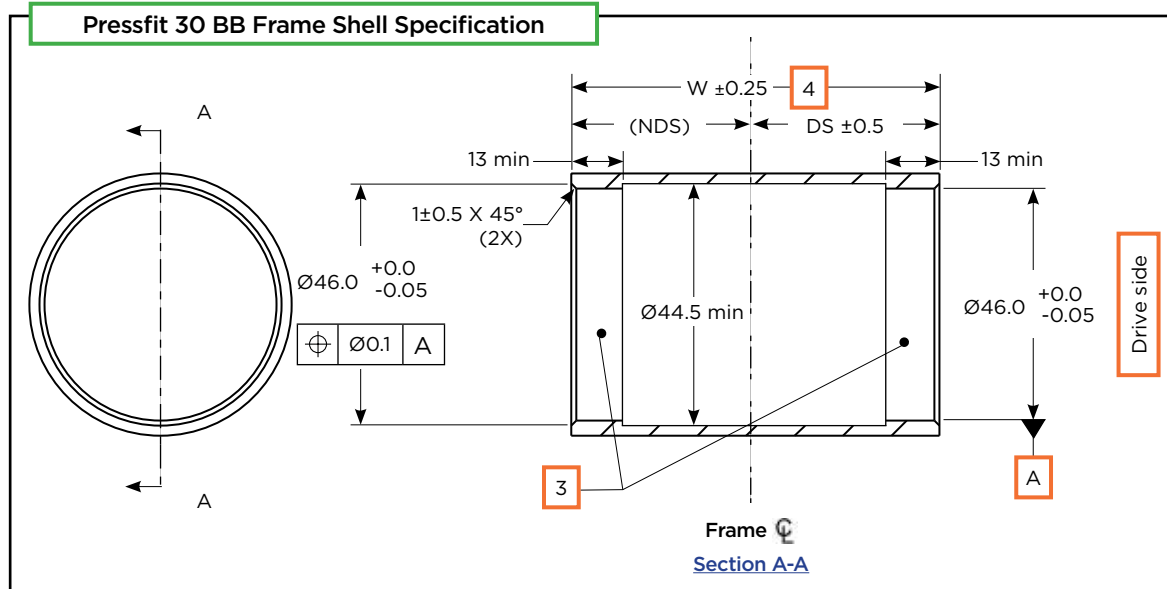
Crankset Frame Clearance Information										
Chain Ring	L1	L2	L3	L4	L5	W1	W2	W3	W4	CL (chainline)
30	23 mm	40 mm	64.5 mm	69.5 mm	201 mm	43.5 mm	46.5 mm	72 mm	55.5 mm	49 mm
32			68.5 mm	73.5 mm						
34			72.5 mm	77.5 mm						
36			76.5 mm	81.5 mm						
38			80.5 mm	85.5 mm						
										Q-factor : Q168
Bottom Bracket Type(s) : GXP : BB30 : Pressfit™ 30 : Pressfit™ GXP MTB										



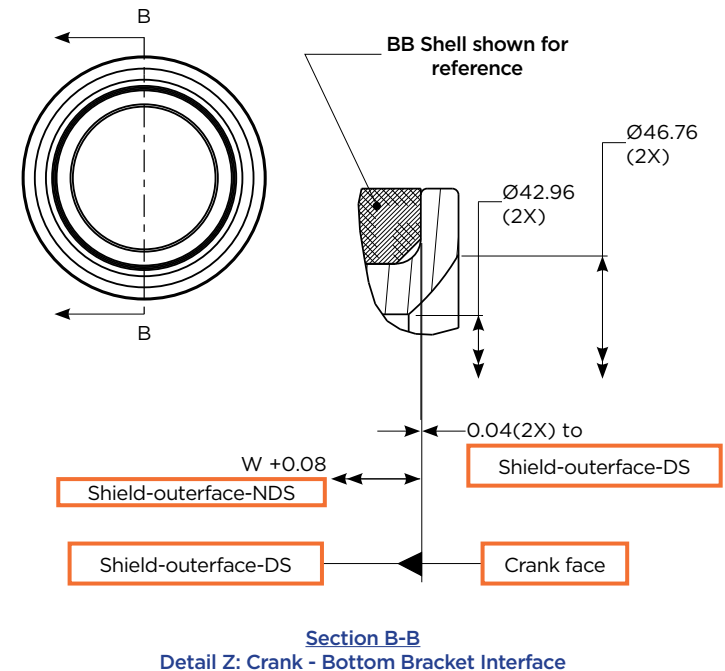
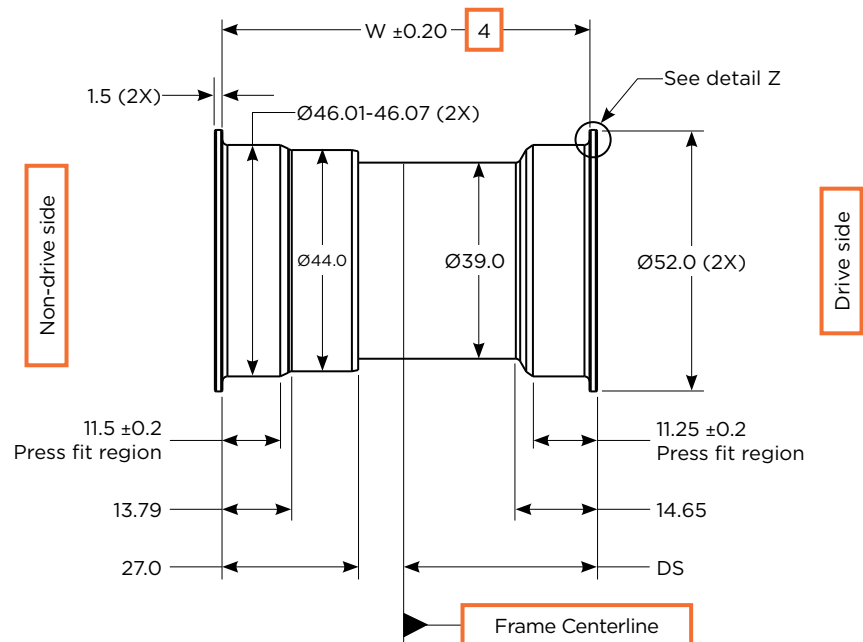
Bottom Brackets

Pressfit™ 30 BB

(All dimensions in millimeters unless otherwise indicated - not to scale)

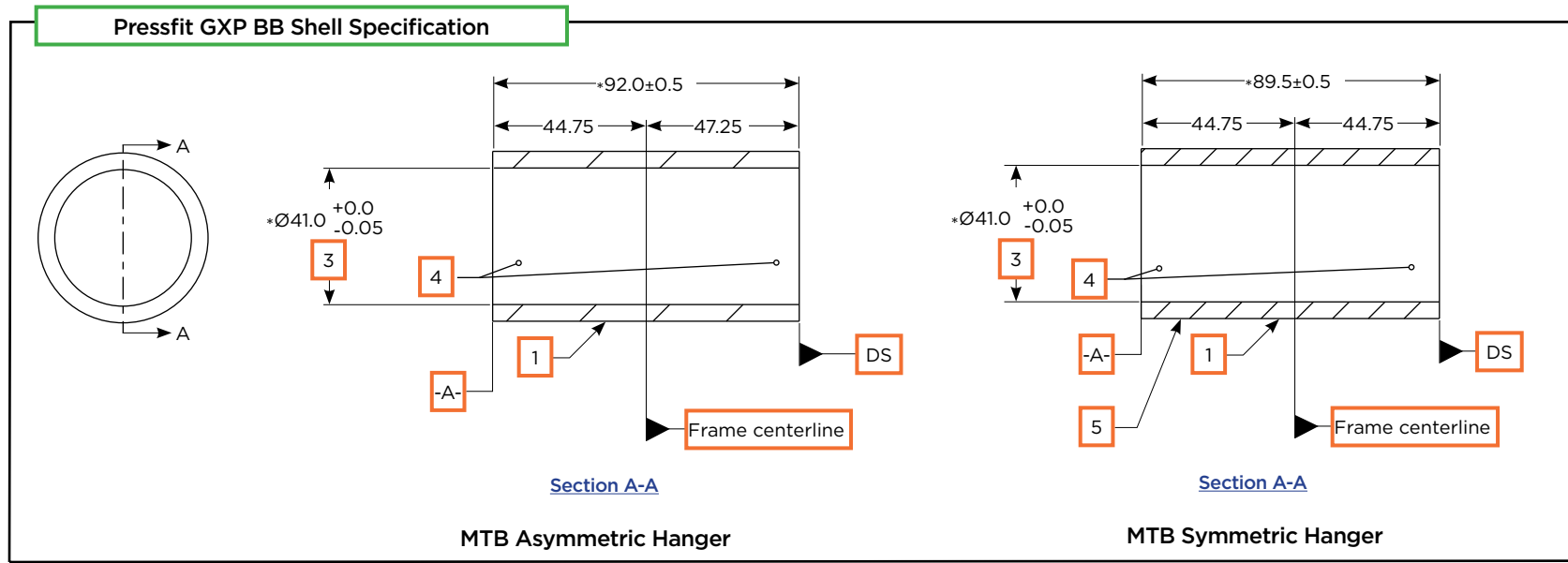


Pressfit 30 BB Key Dimensions



Pressfit™ GXP BB

(All dimensions in millimeters unless otherwise indicated - not to scale)



Pressfit GXP MTB BB-Key Dimensions

Item No.	QTY.	Description
1	1	Wave washer
2	1	DS shield
3	1	NDS shield
4	1	DS cup
5	1	NDS cup
6	1	DS shim washer

Notes:

- 1 PressFit GXP MTB bottom bracket is only compatible with the shown bottom bracket shell specifications.
- 2 Only dimensions essential to bottom bracket press fit and function are shown. Dimensions apply after finish.
- 3 Tolerance applies to depth of 12.00 mm from surface **A**
- 4 Press fit surfaces should be unpainted.
- 5 E-type front derailleurs or captured chainguide mounts cannot be used on carbon fiber frames.
- 6 DS shim washer to be used only on MTB symmetric shell.

